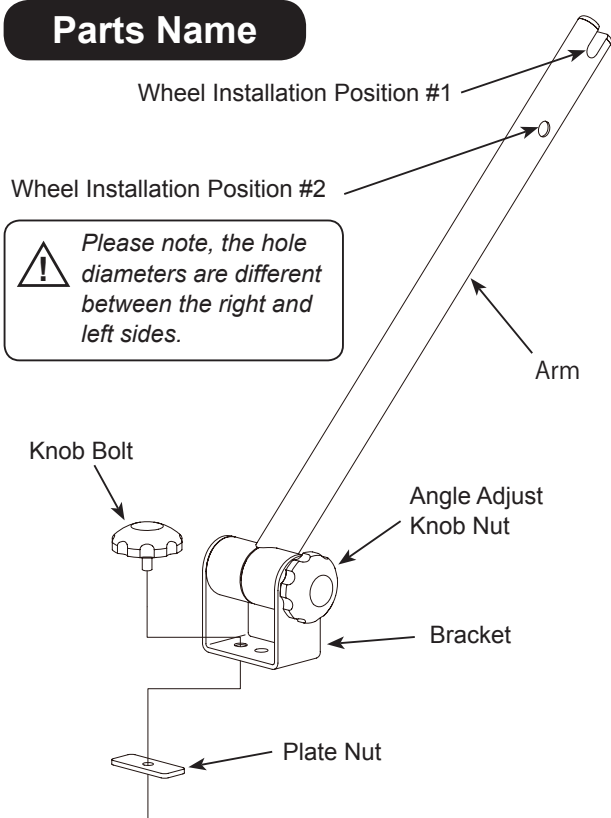


**Example Style:**  
Installing on the rail end of  
VERGO-TF2 with two bikes

## About The Wheel Holder

- Front wheel needs to be removed to mount bike to VERGO-TF. This Wheel Holder safely holds the removed wheel without worry of damaging your wheel or car.
- Can hold up to two wheels on the single arm. For standard 9mm quick release type wheel only. Any other system such as Thru Axle type hub cannot be used.

## Parts Name



## For More Information

Made in Japan

### MINOURA Japan Headquarters (for ALL customers)

1197-1 Godo, Anpachi, Gifu 503-2305 Japan

Fax: +81-584-27-7505

Email: [minoura@minoura.jp](mailto:minoura@minoura.jp)

Web: [www.minoura.jp](http://www.minoura.jp)

### MINOURA North America (for U.S. residents only)

Hayward, California, U.S.A.

Phone: 1-510-538-8599

Fax: 1-510-538-5899

Email: [support@minourausa.com](mailto:support@minourausa.com)

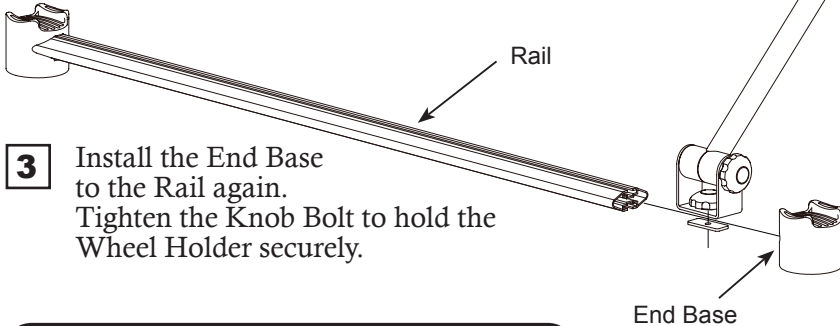
## Warranty Period

Minoura offers 1-year limited warranty to the original user from the date of your purchase.

This program covers any defects caused by the manufacturer's mistakes during production. It will not cover any results caused by the user's misuse, natural wear or unauthorized modifications. For more information, visit [www.minoura.jp](http://www.minoura.jp).

## How To Install Wheel Holder

- 1 Put the Knob Bolt into the hole on the Bracket, and screw into the Plate Nut slightly as the bolt tip doesn't come out from the Plate Nut.
- 2 Loosen the small knob bolt under the End Base and remove the End Base from the Rail. Insert the Plate Nut into the upper gutter on the Rail.

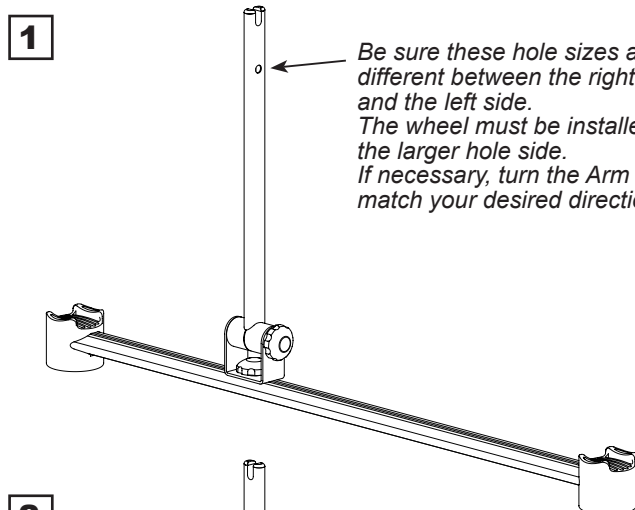


- 3 Install the End Base to the Rail again. Tighten the Knob Bolt to hold the Wheel Holder securely.

## How To Fold Down The Arm

When not in use, you can fold down the arm compactly.

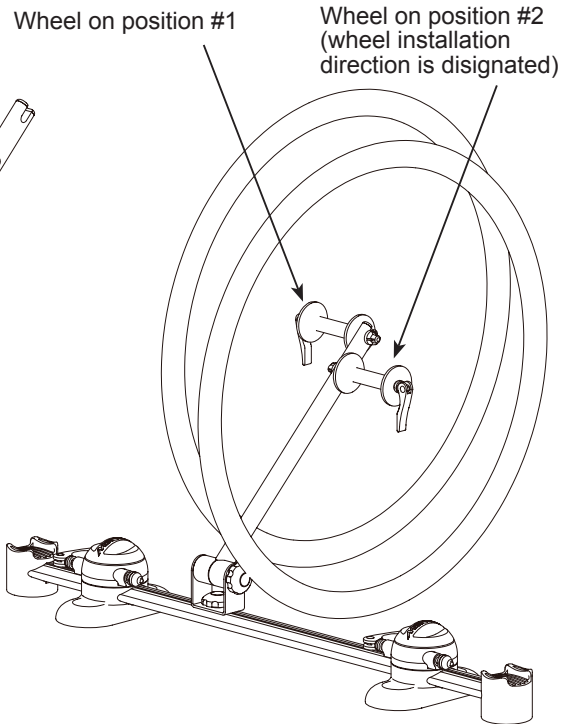
- 1 *Be sure these hole sizes are different between the right side and the left side. The wheel must be installed on the larger hole side. If necessary, turn the Arm to match your desired direction.*



- 2 Loosen the Knob Bolt to turn the Bracket

- 3 Fold down the arm

## How To Mount Wheels



You don't have to remove the quick release skewer from the wheel when mounting the wheel on both position #1 and #2. Be sure the quick lever is located outside on both cases.

### Wheel Installation Position #1

Loosen the skewer nut, push the lever side shaft to make large space on the nut side. Drop your wheel into the cut out on the top of the arm and close the lever to lock securely.

### Wheel Installation Position #2

Remove both skewer nut and the acorn spring then insert the shaft together with the 9mm diameter threaded end into the LARGER hole. Tighten the nut and spring, then fold down the lever to lock securely.



**Only the case of using position #2, if the acorn spring has been damaged due to the twisting of the Q/R lever, try to flip the spring as the larger diameter side facing inward.**



**The arm is made of hollow alloy tubing. Tightening too much can damage it. If you have tightened the skewer too strongly, the arm could be damaged. Adjust the clamping force just enough to hold the wheel in place.**



**Minoura recommends that the wheel be just touching the floor, not suspended in the air. Even if you tighten the knob firmly, it would be difficult to keep the wheels in the air.**