

### Important Notes

- LEVEL-140H is a bicycle storage stand that hooks the saddle nose on the horizontal bar. Do not use this stand for any other purpose.
- Bikes on LEVEL-140H may swing and hit each other unexpectedly from strong winds even though the front tire is touching the ground. A small frame bike that does not reach the ground should not be used due to stability issues.
- Use LEVEL-140H on flat and horizontal floor/ground. Make sure all 4 legs touch the floor/ground at same time to achieve maximum stability.
- Do not use LEVEL-140 for any other purposes than instructed. Do not step on the bar, the maximum load is 40 kgs. Placing more weight will compromise the stand.
- The top bar is designed to be slightly bent intentionally, and not straight, when not in use.
- You need to assemble this product by yourself. No tools required. Disassembling should be done in the opposite steps from when assembling.
- Be careful not to pinch your palm or finger when assembling or disassembling.
- There are some points that will become fragile temporarily while assembling. Do not apply too much force at that time. Handle gently.
- LEVEL-140H is made of light alloy material to make it as lightweight as possible. Do not mishandle as this could cause damage not covered by warranty.

### Warranty Period : 1 year

*Minoura offers 1-year limited warranty to this product from the date of your purchase. You need to keep the sales slip issued by the retailer which clearly shows your purchase date upon request from Minoura if you want to use this service program.*

*Minoura shall reserve the right to replace or repair the parts or product from any problems caused by manufacturer's defect. However, this program will not cover any other item except the product, and any problems caused by user's misuse, unauthorized modification/ disassembling or no normal wear. They will void from the warranty. Minoura is not responsible for any accident caused by using this product.*

*This product is subject to change without any prior notice for quality improvement and performance.*

*For more information, refer the enclosed "Minouora Warranty Policy Card" and please check [www.minoura.jp](http://www.minoura.jp) regularly for the latest updates.*

### Contact

If you have any questions or need help, you should contact the dealer where you purchased or the Minouora distributor in your country first. If you cannot get the answer you need, you can contact us.

#### **MINOURA JAPAN (for ALL customers)**

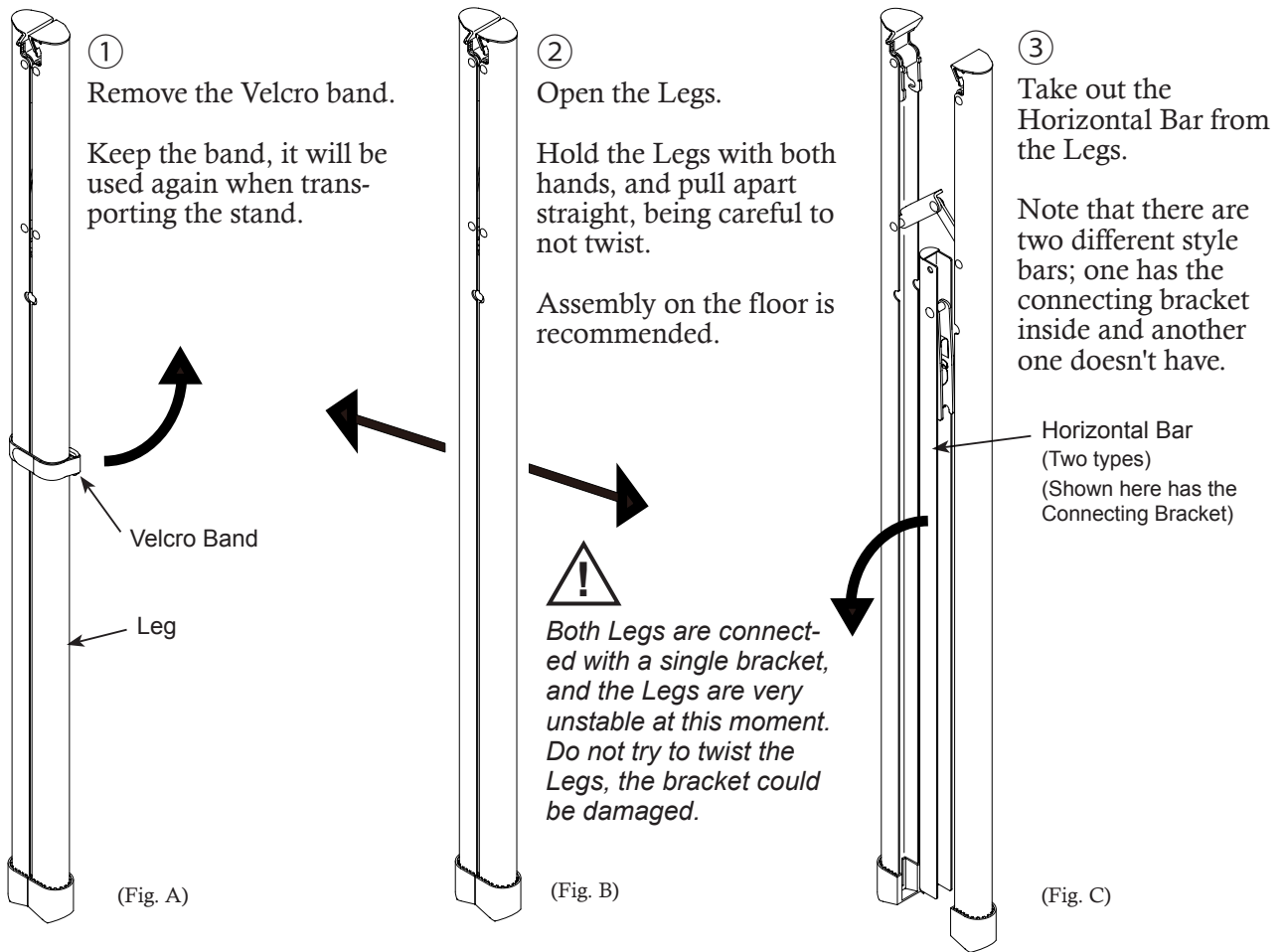
134-1 Shimomiya, Godo, Anpachi, Gifu, Japan  
Fax: +81-584-27-7505 / Mail: [minouora@minouora.jp](mailto:minouora@minouora.jp)  
Web: [www.minouora.jp](http://www.minouora.jp)

#### **MINOURA North America (for U.S. residents ONLY)**

California, U.S.A.  
Phone: 1-510-538-8599 / Fax: 1-510-538-5899  
Mail: [support@minouoraus.com](mailto:support@minouoraus.com)

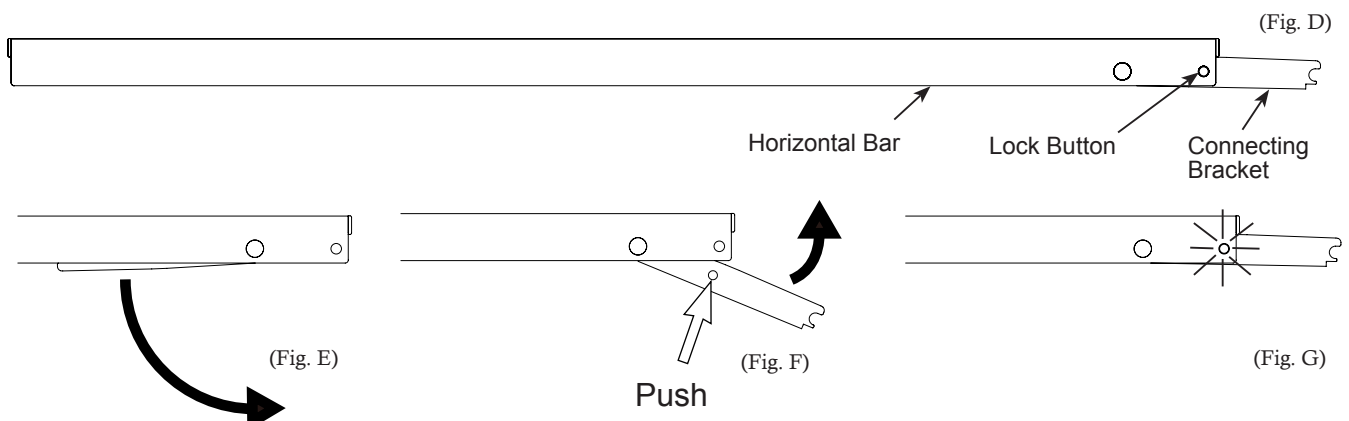
Made in Japan

**1** Open the carry bag, and pull out the Horizontal Bar from the Leg.



When storing, engage the Bar between the Legs. Make sure the rivet of the Bar comes in the cut-out section on the Legs. To do so, the bar's bottom end must be inserted into the rubber cap on the Leg.

**2** Open the Connecting Bracket from the Bar.



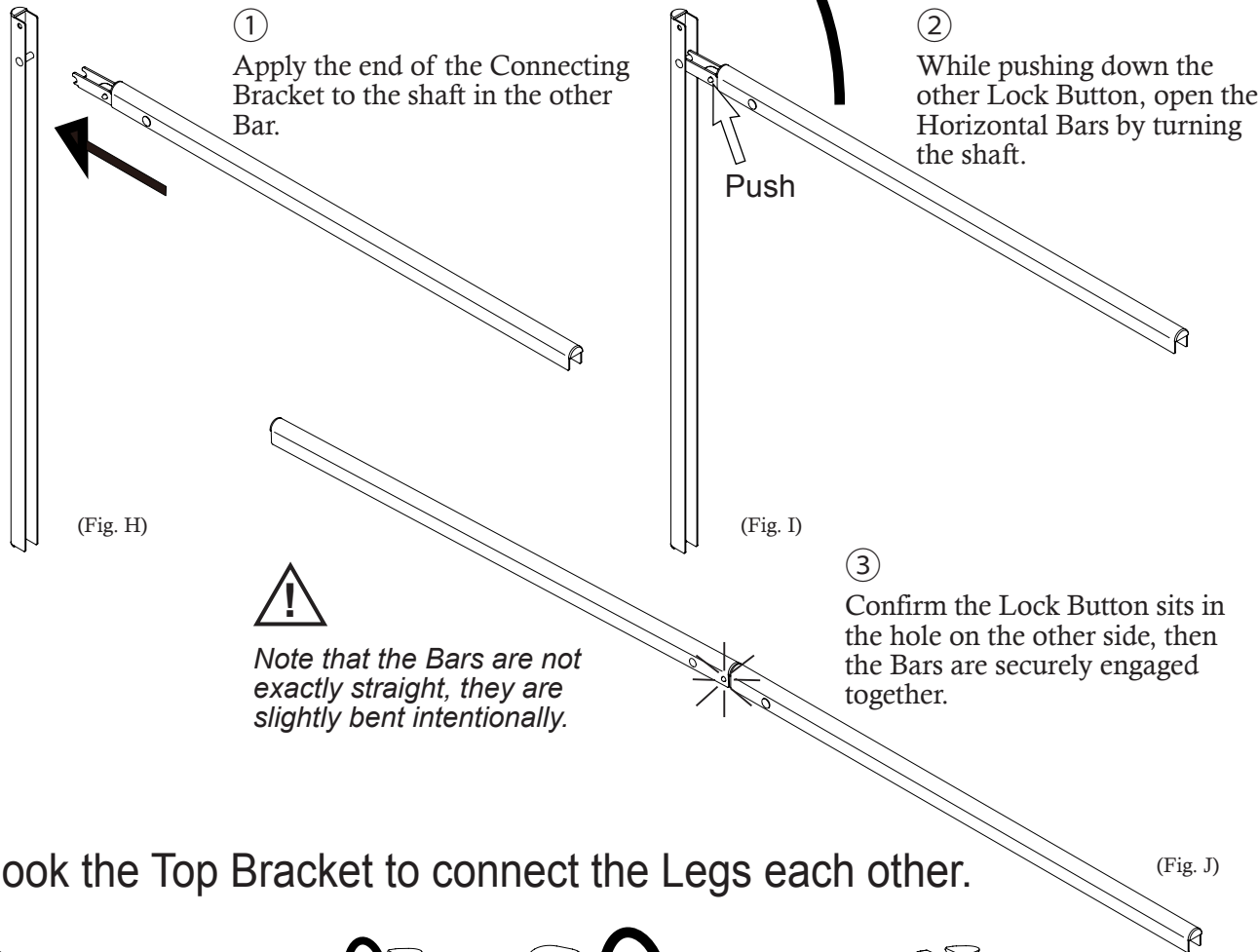
① Pull out the Connecting Bracket from the inside of the Bar.

② While pushing down the Lock Button, straighten the bracket.

③ You will hear the clicking sound that tells you the Lock Button sits in the hole on the Bar.

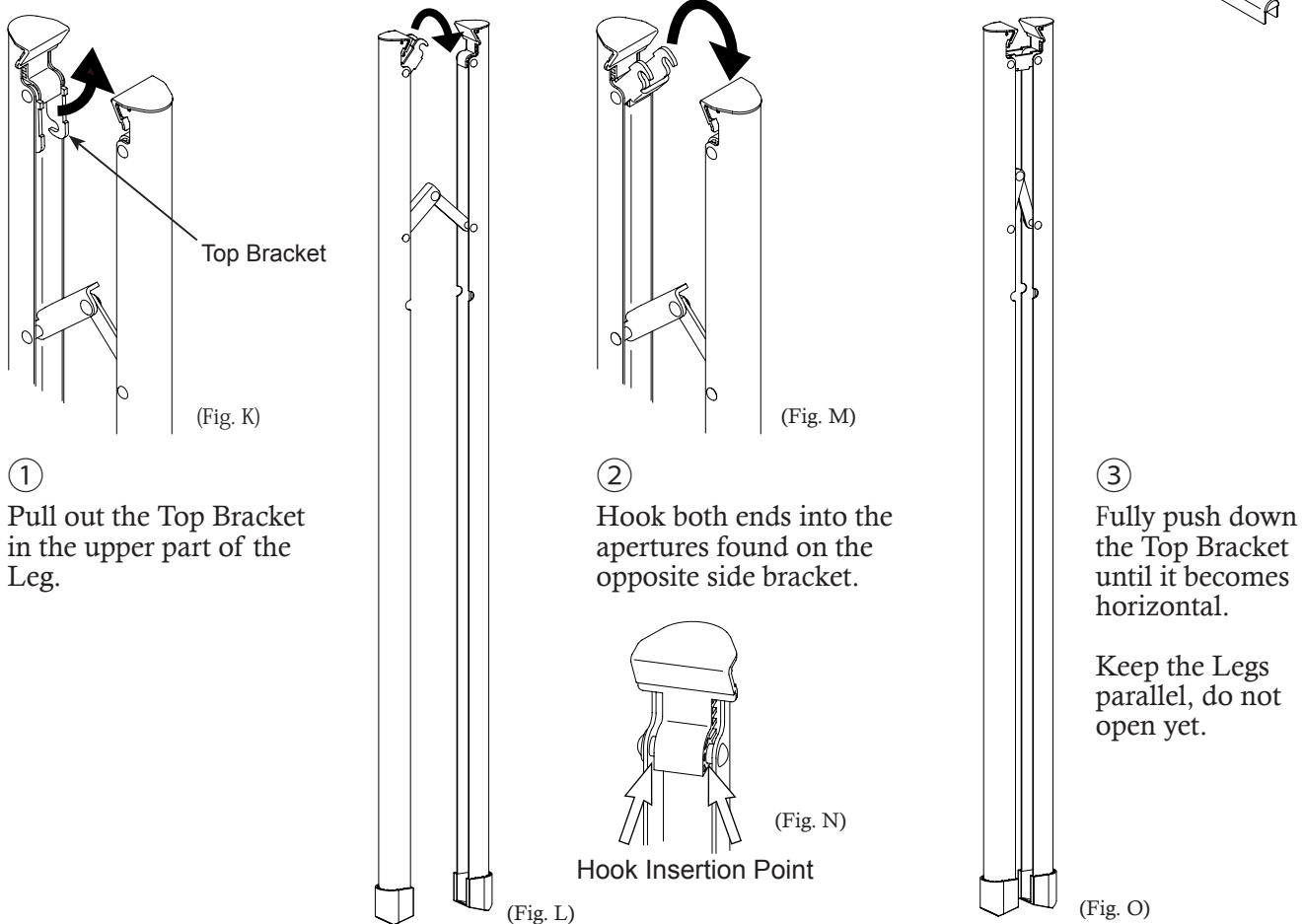
**3**

**Connect the Horizontal Bars.**



**4**

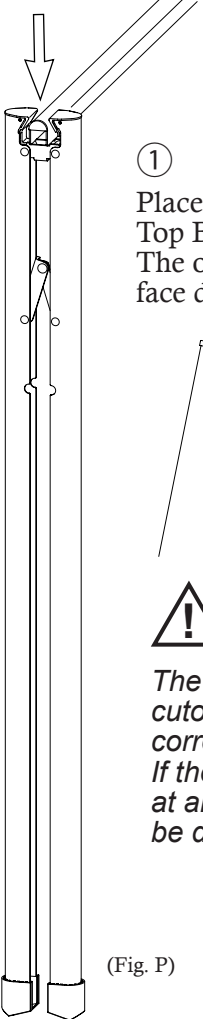
**Hook the Top Bracket to connect the Legs each other.**



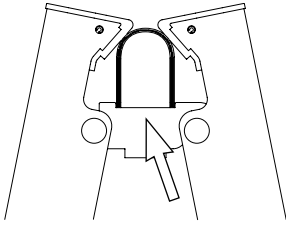
**5**

**Open the Legs to clamp the Horizontal Bar.**

Place



① Place the Horizontal Bar on the Top Bracket. The opening side of the bar must face downward.

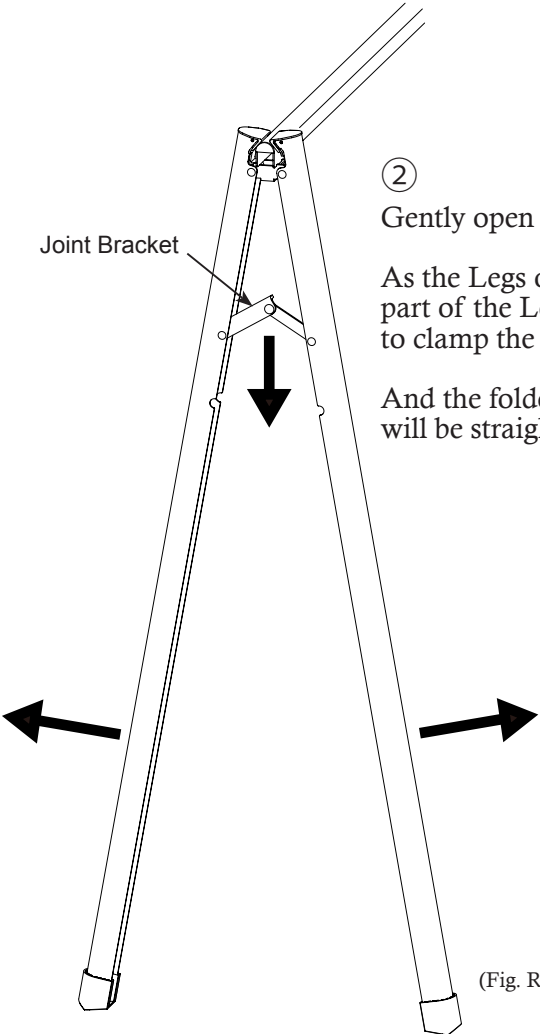


(Fig. Q)



*The bar must sit in the cutout on the Top Bracket correctly. (see Fig.Q) If the bar has been clamped at an angle, the bar could be damaged or deformed.*

(Fig. P)



② Gently open the Legs. As the Legs open, the upper part of the Legs will be closed to clamp the Horizontal Bar. And the folded Joint Bracket will be straight.

(Fig. R)

③ Finally, fully push down the Joint Bracket to finish the installation and fix the position. Now the Horizontal Bar is securely clamped.

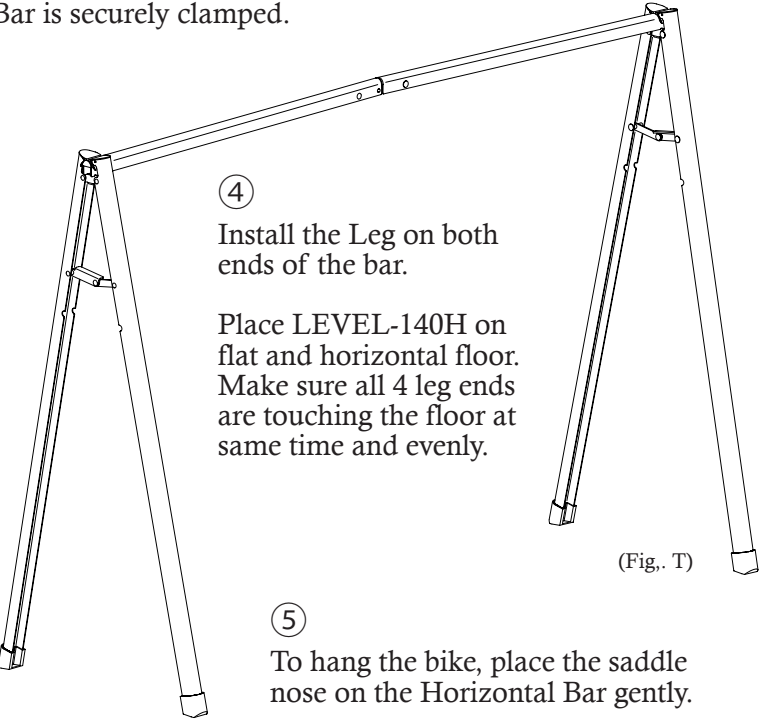


*Be careful not to pinch your hand when pushing down the Joint Bracket. You may use your legs to assist opening the Legs of LEVEL-140H. Do not touch any other area than the top flat part of the Joint Bracket. Placing hand between the link plate could give injury to your palm.*



(Fig. S)

④ Install the Leg on both ends of the bar. Place LEVEL-140H on flat and horizontal floor. Make sure all 4 leg ends are touching the floor at same time and evenly.



(Fig. T)

⑤ To hang the bike, place the saddle nose on the Horizontal Bar gently.