

## **WARRANTY**

Your post is guaranteed for one year from the date of purchase against manufacturing or materials defect. MODERNE TECH CORPORATION is not liable for damage due to misuse, abuse, or crashes by jumping as well as improper installation and maintenance to the post. If a problem does arise that your local dealer can not handle, the post must be sent, freight prepaid to MODERNE TECH CORPORATION for inspection and a decision will be made pending test results, if a defect is found, the problem will be resolved either repair or replacement pending MODERNE TECH's discretion.

### **MODERNE TECH CORPORATION**

367 Kao-Shih Road, Yangmei Taoyuan 326, Taiwan, R.O.C.

TEL: 886 - 3 - 4755171

FAX: 886 - 3 - 4755180

E-Mail: [service@postmoderne.com](mailto:service@postmoderne.com)

Web site: <http://www.postmoderne.com>



**POST MODERNE®**  
**Suspension Seat Post**  
**Owner's Manual**  
**Model : PM-HB , HG**

**POST**  
**MODERNE®**

## INTRODUCTION

The CUSHY series suspension seat post is made of lightweight, high-strength materials and is designed to deliver the comfort and performance to recreational riders seek, while remaining easy to maintain.

Riding a bike may be dangerous. Not properly maintaining or inspecting your bike may be even more dangerous. This manual contains important information about the suspension seat post installation, operation and the maintenance. We urge you to read it carefully and follow our recommendations to help make your bicycling more enjoyable and trouble free.

### **IMPORTANT :**

The CUSHY suspension seat post is designed for recreational bicycling. We strongly recommend that you do not use this post for downhill or any kind of competition riding.

## FEATURES

- IAIS clamping structure. ( Independent Adjuster Integrated Structure )
- Spring and elastomer.
- Preload spring rate adjustable.
- Patented for-to-aft shaft play and rotation control.
- 35 mm travel.

## INSTALL TO BICYCLE

1. Check for burrs inside the seat tube. Put the seat post into the seat tube with the correct seat post diameter. Use the correct shim for the post over than 27.2mm.
2. Tighten the binder bolt on your bicycle to the manufacturer's specification.

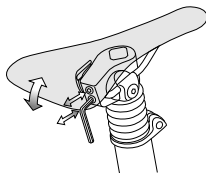
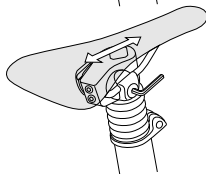
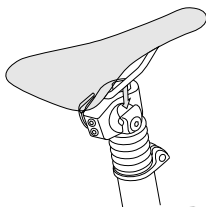
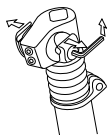
### **WARNING !**

1. Do not over tighten the binder bolt, as it can cause premature failure to the frame and seat post.

2. Do not ride with seat post exposing the minimum insertion mark noted on the seat post. Riding with the seat post further out than the minimum insertion can cause serious and / or fatal injuries.
3. This seatpost has been safely tested & approved to ISO 4210 regulations together with a compatible saddle. Replacement with any incompatible saddle may damage the seatpost and/or cause injury to the rider.

## SADDLE INSTALLATION

1. Loosen the clamping bolt until the rail of seat can be snapped into the groove of the clamping plate.
2. Snap the seat rail into the groove of the clamping plate.
3. Move the seat forward or backward to your desired position then tighten the clamping bolt tightly.
4. Adjust the tilt angle by turning in or out of the seat tilt adjustment screw. After reaching your desired angle then tighten any of the tilt adjustment screws tightly.



## SIDE-PLAY ADJUSTMENT

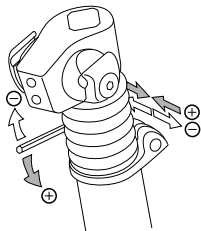
Side-play ( lateral movement of saddle nose ) may develop over time with use. This is normal, and can be easily removed by following these steps :

1. Locate the side-play adjuster on the rear of the seat post.
2. Use a 4mm hex key wrench to turn the side-play adjustment screw. Turn clockwise to decrease play, counter-clockwise to increase play. The adjustment is right when there is a minimum of side-to-side movement of the saddle nose, yet the post still moves smoothly up and down.

Note :

1. The adjustment must be slightly and gradually, do not over tighten the
2. adjustment screw.

Please check and adjust the side-play after the first two hours of riding.



## REGULAR MAINTENANCE

Please follow the suggested maintenance to keep your Solace suspension seat post working smoothly. If you ride under specially dirt condition like rain, mud, etc, then we would recommend more frequent maintenance.

### WARNING :

1. To maintain high performance, safety and long life, the suspension seat post requires regular care and maintenance.
2. Not all saddles are physically compatible with this suspension seat post. Some saddles may interfere with the motion of the suspension movement. Therefore, please check thoroughly that there is a clearance between the saddle and the seat post through the full range of the down-and-up suspension movement. If the saddle interferes with the suspension movement, then do not use the saddle in combination with this seat post. If the saddle interferes with the seat post movement, then it could cause serious injury to the user.

### ● **About Every One Month Or After 30 Hours Of Riding**

1. Please inspect the tightness of the clamping bolt, especially after that you have changed or adjusted the seat, retighten the bolt whenever its torque is lower than the specification.
2. For the best performance of the suspension seat post, please check and adjust whenever the unexpected exceed side play is found.
3. Make sure the boot is always well sealed on the inner shaft and outer tube.
4. Carefully peel the boot up, and check underneath for dirt or any other contamination. Any dirt or contamination existed means the post needs to be cleaned or disassembled. To peel back the boot, apply a few drop of Teflon impregnated oil around the upper bushing.

### ● **About Every Two Months Or After 60 Hours Of Riding**

Disassemble the seat post for cleaning with the following suggestions.

1. Unscrew the preload adjuster plug and take the spring / elastomer out of the bottom of the outer tube.
2. Use 4mm allen key ( 250 mm or longer ) to loose the fixing bolt inside of the outer tube. Then push the boot up away from the outer tube and separate the post head/inner shaft from the outer tube.
3. Wipe inside of outer tube clean and apply fresh grease to the upper bushing, lower bushing.
4. Wipe the inner shaft clean and apply fresh grease. Reinstall the inner shaft into outer tube then tighten the fixing bolt.
5. Apply a thin grease to the spring / elastomer. Install the spring / elastomer into the outer tube then install the preload adjuster plug.

**Note:**

Inspect all internal parts and replace any parts that is in doubt.

## PRE-LOAD ADJUSTMENT AND SPRING RATE CHANGE

The pre-load adjust plug in the bottom of the outer tube could be used to adjust the pre-load of the post. There are approximately 20 full turns from minimum to maximum pre-load. Turning the plug clockwise makes the seat post stiffer, turning the plug counterclockwise makes the seat post softer.

### **Warning :**

Do not turn the pre-load adjuster plug exposing its threads at the bottom of the outer tube. Failure to observe this instruction could result in damage of post resulting in serious injury.

It is recommended the CUSHY-HG seat post compress the static travel at 10~15mm when you are sitting on the bike. And the seat post will work best when you are getting another minimum of 15mm of travel beyond the 10~15mm of static travel. First be sure to adjust the pre-load correctly as your desire.

If the static travel setting is correct and you can't get a minimum travel of 15mm, use a softer spring rate. However, if the static travel setting is correct and you have excessive bottom out, use a harder spring rate.

The CUSHY-HG suspension seat post is originally equipped with a standard medium spring ( Silver color ) , there are two additional spring rate of spring ( softer or harder ) up to the replacement request. Please contact with your dealer for more information.

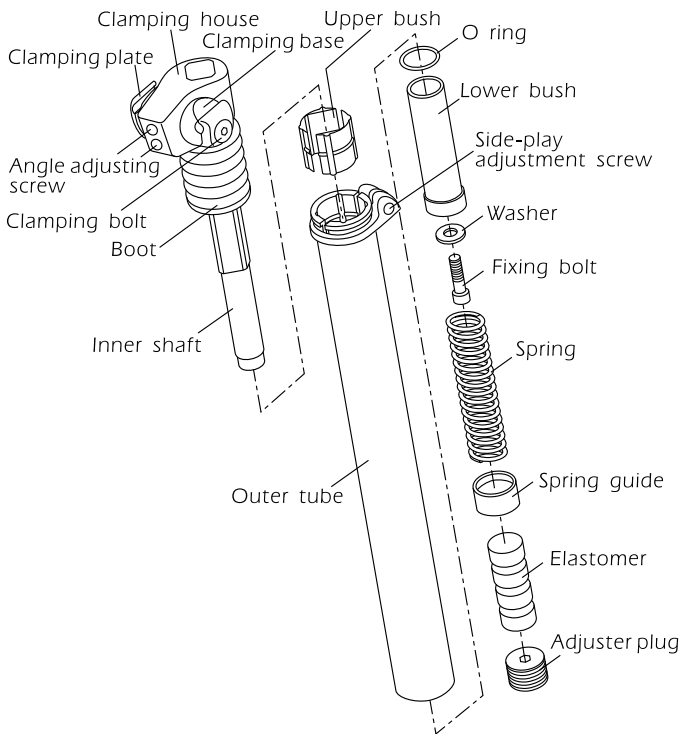
### **Note :**

Remember to set the static travel first and then turn the desired travel for your ride.

| Rider Weight     | Spring Rate | Color Designate |
|------------------|-------------|-----------------|
| Under 121 lb     | Soft        | Gold color      |
| 121 lb to 187 lb | Medium      | Silver color    |
| Over 187 lb      | Hard        | Black color     |

## To Change The Spring

1. Unscrew the preload adjuster plug.
2. Take the spring kits out from the inside of outer tube.
3. Install the new spring kits and reinstall the preload adjuster plug.



**Torque Specification :**

Clamping Bolt : 71 ~ 87 inch-lbs ( 8 ~ 10 Nm ).